

# Installation Instructions

## Outline Dimension Drawings of the Indoor Unit

Note: the unit in the followings is mm, unless otherwise specified.

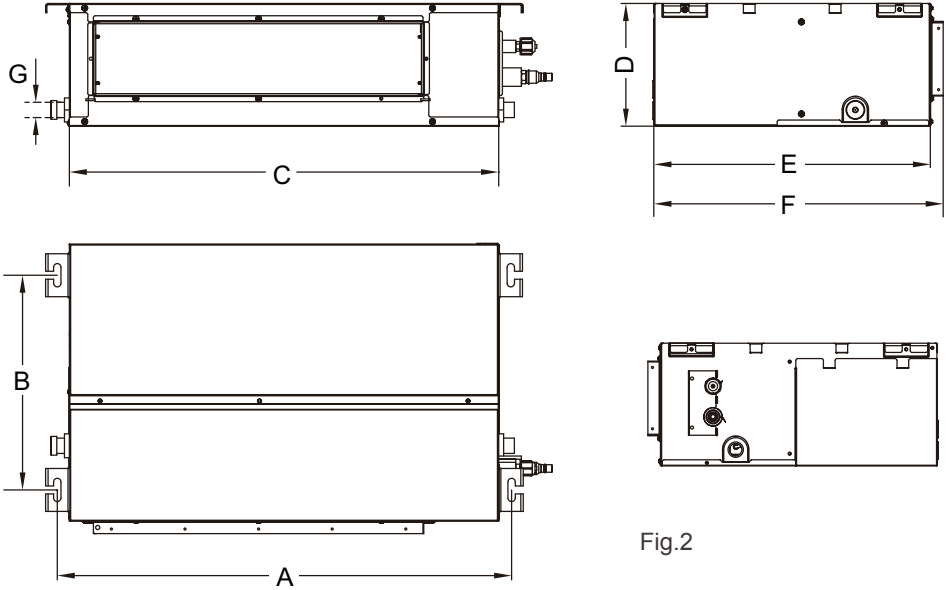


Fig.2

Table 2 : Outline Dimensions

Model \ Item	A	B	C	D	E	F	G
DUCT-09	740	350	700	200	450	472	26
DUCT-12	740	350	700	200	450	472	26
DUCT-18	1040	350	1000	200	450	472	26
DUCT-24	1340	350	1300	200	450	472	26
DUCT-34-48	1340	560	1300	270	680	700	26

# Installation Instructions

## Installation of the Duct

### a. Dimensions of the Supply Air Outlet/Return Air Inlet

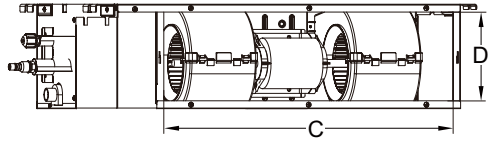
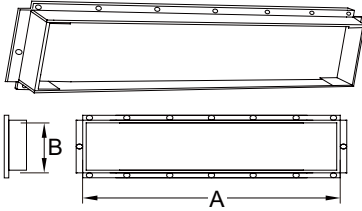


Fig.23

Units: mm

Model	Item	Air Supply Outlet		Return Air Inlet	
		A	B	C	D
DUCT-09/DUCT-12		538	122	590	170
DUCT-18		808	122	890	170
DUCT-24		1108	122	1190	170
DUCT-36-48		1120	190	1100	235

Table 4

### b. Installation of the Air Supply Duct

#### 1. Installation of the rectangular air supply duct

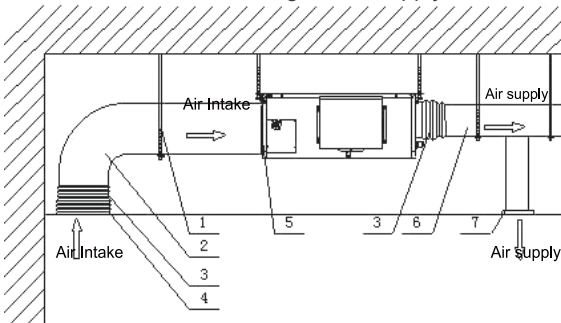


Table 5

No.	Name	No.	Name
1	Hanger	5	Filter
2	Air Intake Pipe	6	Main Air Supply Pipe
3	Canvas Air Pipe	7	Air Supply Outlet
4	Air Intake		



**CAUTION!**

Fig.24

- The maximum length of the duct means the maximum length of the supply air duct plus the maximum length of the return air duct.
- The duct is rectangular and connected with the air inlet/outlet of the indoor unit. Among all supply air outlets, at least one should be kept open.