

Installation Manual for Outdoor Unit

AV08NMSETA

AV10NMSETA

AV12NMSETA

No. 0150512770

- Please read this manual carefully before using
- Keep this operation manual for future reference

User Manual

MRVIII-S adopts "simultaneous control" type, all indoors should be heating or cooling simultaneously.

To protect compressor, before startup, the unit should be electrified for over 12 hours. If the unit is not used for a long time, please cut off the power to save energy, or the unit will consume the power.

CONTENT

Safety	1
Installation instruction	3
Installation procedure	6
Electric wiring and the application	21
Failure code.....	25
Trial operation and the performance	30

Operation condition:

To use the air conditioner normally, please perform as to the below conditions.

Operating Range of Air Conditioner

Cooling dry	Indoor	Max.	DB: 32°C	WB: 23°C
		Min.	DB: 18°C	WB: 14°C
	Outdoor	Max.	DB: 43°C	WB: 26°C
		Min.	DB: -5°C	
Heating	Indoor	Max.	DB: 27°C	
		Min.	DB: 15°C	
	Outdoor	Max.	DB: 21°C	WB: 15.5°C
		Min.	DB: -15°C	

Safety

- This manual should always be accessible and close to this air condition equipment.
- There are two types of indications, "△WARNING" and "△CAUTION". The indication preventing from death or heavy injury is listed as "△WARNING". Even the indication listed as "△CAUTION" may also cause serious accident. Both of them are related to safety, and should be strictly followed.
- After installation and start-up commissioning, please handover the manual to the user. The manual should be well kept in safe place and close to the unit.

△WARNING

- The installation or the maintenance should be performed by an authorized agency. The wrong operation of this air condition equipment may cause water leakage, electric shock or fire.
- Please install the unit on the top of a solid foundation or structure which is strong enough to support the unit.
- The installation of this air condition equipment should follow local construction codes.
- Use the right cable size, secure the terminal firmly, organize the cables well and make sure no tension is added on cables. Cable insulation should not be damaged. The incorrect installation may lead to overheat or fire.
- When installing or moving the unit, the refrigerant system should be vacuumed and recharged with R-410A refrigerant. If any other gas enters the system, it may lead to abnormal high pressure which may cause damage or injury.
- Please use the proper manifolds or branches during the system installation. The wrong parts may cause refrigerant leakage.
- Keep the drain pipe away from toxic gas vents to prevent possible pollution of indoor environment.
- During or after the installation, please check whether there is refrigerant leakage. If any leakage, please take any measures for ventilation. The refrigerant may be toxic at some concentration levels.
- The unit is not explosion-proof. Please keep it away from flammable gases.
- The drain pipe should be installed per this manual to ensure proper drainage. The pipe should be well insulated to avoid condensation. Wrong installation may lead to water leakage.
- Both liquid pipe and the gas pipe should be also well insulated. Not enough insulation may lead to system performance deterioration or humidity formation.
- This air condition equipment is not intended to be operated by persons with lack of experience and training, unless they have supervision or instruction concerning use of this air condition equipment.
- Please keep children away from this air condition equipment.

Safety

⚠CAUTION

- Grounding wire should be connected with the grounding bar. The grounding wire can not be connected to the gas pipe, water pipe, lightning rod or the telephone grounding wire. Improper grounding may cause electric shock.
- Units installed on roof should have appropriate access and handrail.
- Use the wrench to fasten the nut and flare at proper torque. Excessive torque may cause flared section to broke leading to refrigerant leakage.
- After refrigerant pipe installation, please take nitrogen leakage test to avoid refrigerant leakage.
- R-410A is the only permitted refrigerant.
- To avoid mischarging wrong refrigerant, the check valve diameter is changed for R-410A. To strengthen the pipe, the flared pipe dimension is also changed. Please use R-410A specified tools as shown below.

	R-410A specified tools	Remarks
1	Gauge manifold	Range:HP > 4.5MPa,LP > 2MPa
2	Charge hose	Pressure:HP:5.3MPa,LP:3.5MPa
3	Electronic weight for charging R410A	No other means permitted
4	Torque wrench	
5	Flare tool	
6	Copper pipe gauge for adjusting projecting margin	
7	Vacuum pump fitting	Vacuum pump must be equipped with check valve
8	Leakage detector	Only Helium detector permitted

- When charging refrigerant, the refrigerant must be in liquid state from the tank.
- To prevent EMC interference on other appliances, please keep indoor unit, outdoor unit, power cable and connecting wire at least 1m away from those appliances .
- Fluorescent lamp (reverse phase or rapid start type) may interfere the remote controller's signal. Please install indoor unit away from fluorescent lamp. The farther the better.

Installation instruction

For installation, please review the items below:

- Is the connected units quantity and the total capacity in the allowable range?
- Is the refrigerant pipe length in the limited range?
- Is the pipe size proper? And if the pipe installed horizontally?
- Is the branch pipe installed horizontally or vertically?
- Is the additional refrigerant counted correctly and weighed by the standard balance?
- Is there refrigerant leakage?
- Is all the indoor power supplies can be on/off simultaneously?
- Is the power voltage in compliance with the data marked on the rating label?
- Is the address of indoors has been set?

(1) Before installation

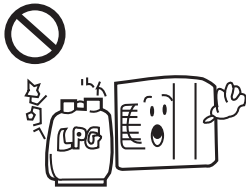

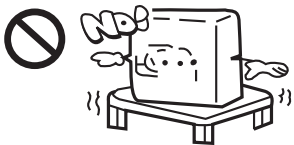

1) Before installation, check if the model, power supply, pipe, wires and parts purchased respectively are correct.

2) Check if the indoors and outdoors can be combined as the following.

Outdoor	Indoor	
Capacity(X 100W)	Indoor Qty	Total indoor capacity(X 100W)
AV08NMSETA	13	113~293
AV10NMSETA	16	140~364
AV12NMSETA	19	167~436

Installation instruction

(2) Installation place selection

<p>Air-conditioner can't be installed in the place with inflammable gas. Or it will cause fire hazard.</p> 	<p>The unit should be installed at the place with good ventilation. No obstacle at the air inlet/outlet. And no strong wind blows the unit.</p>  <p>The installation space refers to the latter info.</p>	<p>The unit should be installed at the strong enough place. Or it will cause vibration and noise.</p> 
<p>The unit should be installed at the place where the cold/hot air or noise will not interfere the neighbours.</p> 	<ul style="list-style-type: none"> • The place where the water can flow fluently. • The place where no other heat source will affect the unit. • Pay attention to the snow against clogging the outdoor. • In installation, install the anti-vibration rubber between the unit and the bracket. 	<ul style="list-style-type: none"> • The unit is better not be installed at the below places, or it will cause damage. • The place where there is corrosive gas (spa area etc). • The place blowing salty air (seaside etc). • Exsits the strong coal smoke. • The place with high humidity. • The place where there is device emitting Hertzian waves. • The place where voltage changes greatly.

Installation instruction

(3) Transportation and hoisting

Hoisting

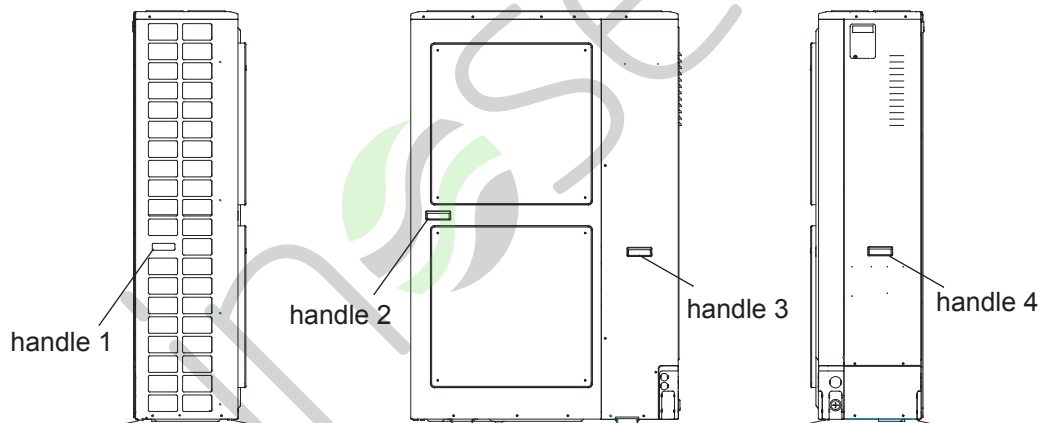
- Please remove the outdoor unit to the installation location as far as possible near place before open the packaging.
- Forbid on the equipments to place anything, need to use 2 ropes while promoting outdoor.
- Please according to following way hoisting outdoor:
Ensure that the outdoor unit when hosting the level to rise slowly.
Do not remove the packaging.
When hoisting do not have to tie up the elevator to the unit hits on the packaging and the outside wrapping.
When hoisting exterior must use the suitable protection.

Handling

Before the installation, outdoor do not deposit any material, otherwise likely has the fire or the accident.

When handling unit, please operate as shown in the following figure and note the following points

1. Forbids to demolish the wooden foundation.
2. Prevent the outdoor to incline.
3. Should be handling more than two.



Installation procedure

Outdoor Installation

Installation location

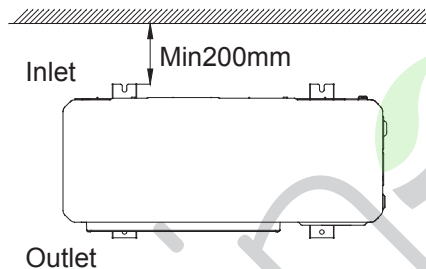
- Outdoor unit should be placed in well ventilated and dry place.
- Outdoor noise and exhaust should not affect neighbors and around the ventilation.
- Ensure the ground steadily reliable.
- Do not install the outdoor unit on high oil, salt spray or harmful gases.
- Don't being installed to electromagnetic wave can directly radiate an electricity box and keep off electromagnetic wave radiation possibly, at least more than 3 meters.
- When ice snow overlay area installs outdoor unit, please add to defend snow cover.
- Outdoor unit installed in the shade, avoiding direct sunlight or high temperature heat sources of radiation.
- Do not install in dusty or polluted place to prevent outdoor unit heat exchanger jam.
- The outdoor unit should install in the public unapproachable place.

Installation and maintenance space

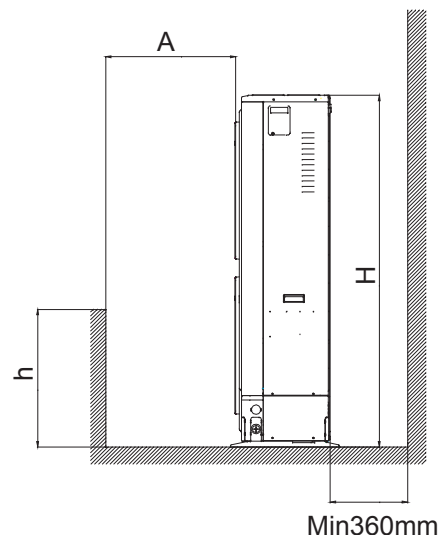
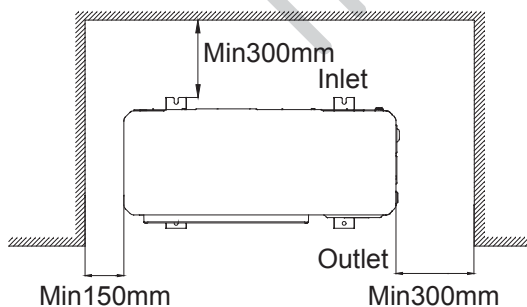
As shown below, install the outdoor unit should allow sufficient space for handing and maintenance.

Case 1: stumbling block on the inlet ,also upside opens.

Single installation around the opening

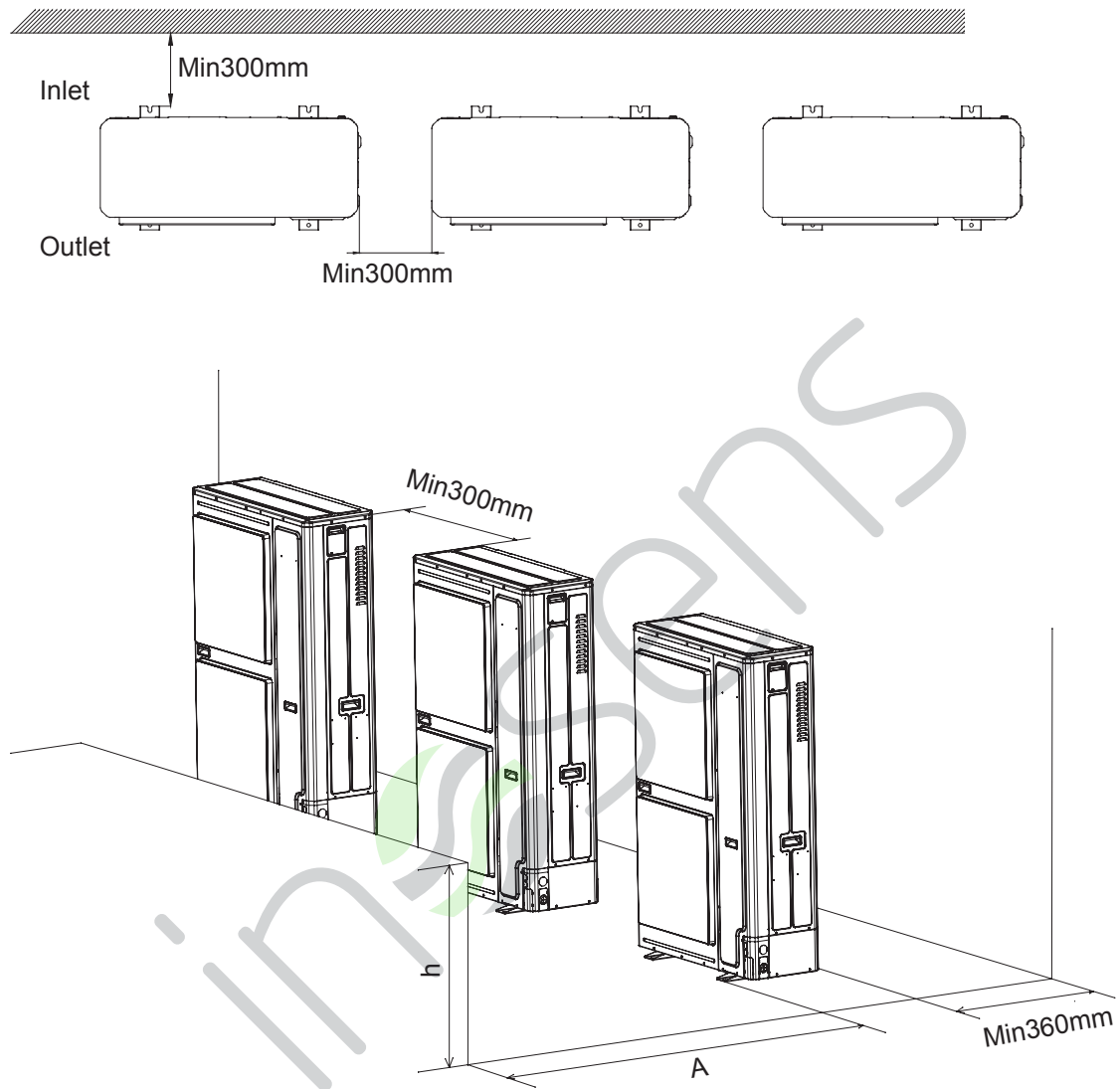


Single installation around the closed



Installation procedure

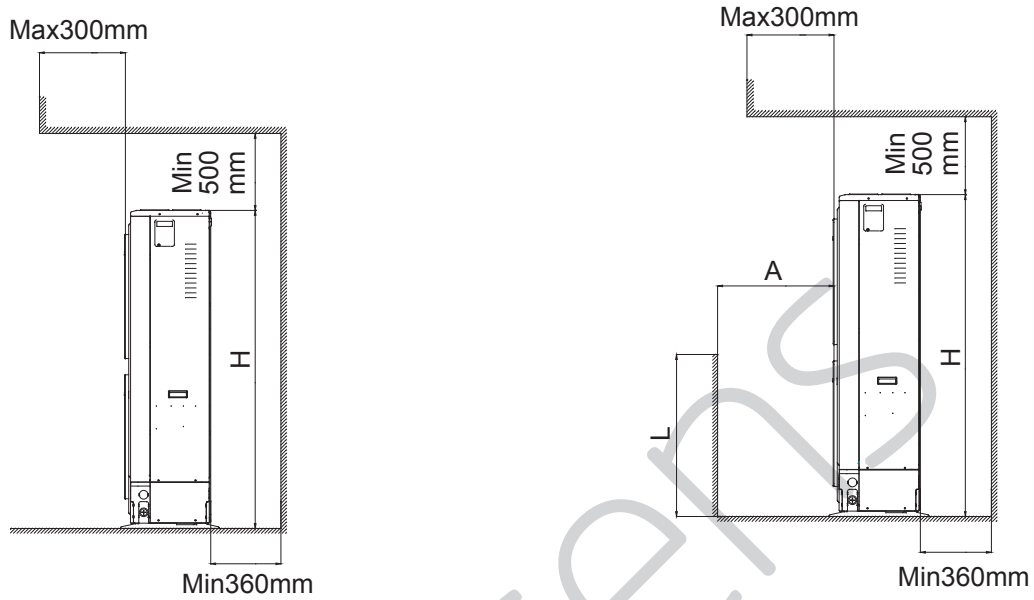
Multi Outdoor



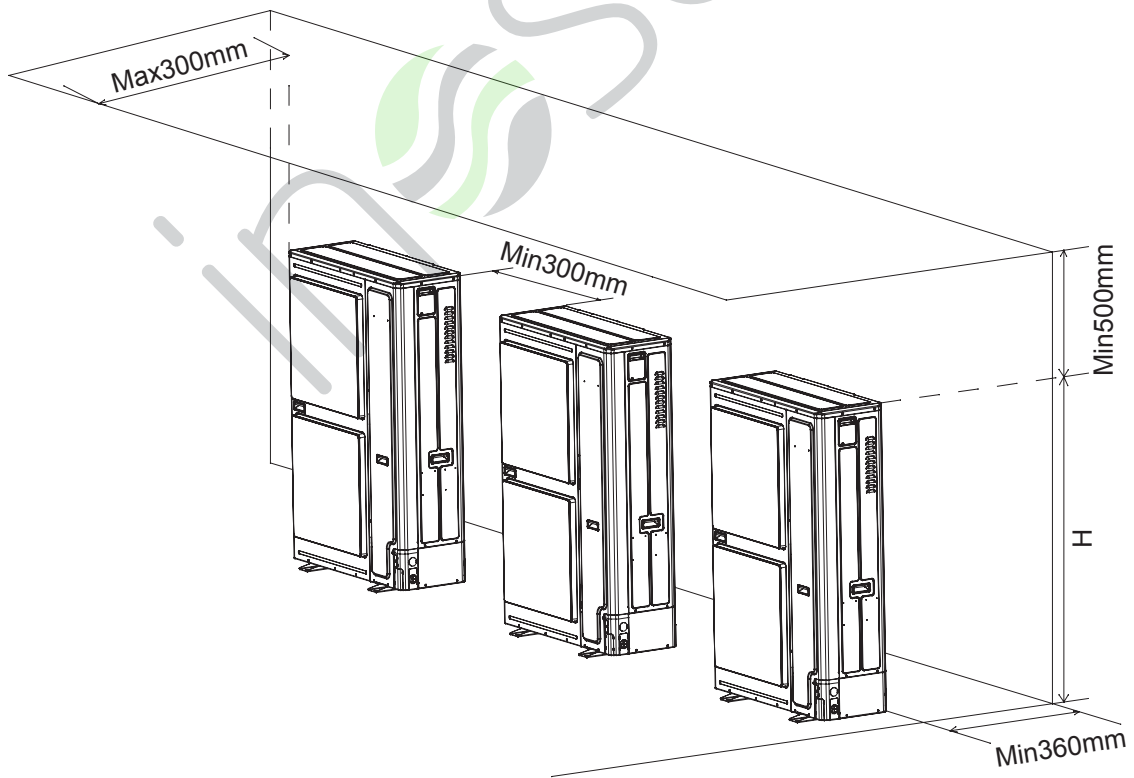
Installation procedure

Case 2: stumbling block on the inlet and top side

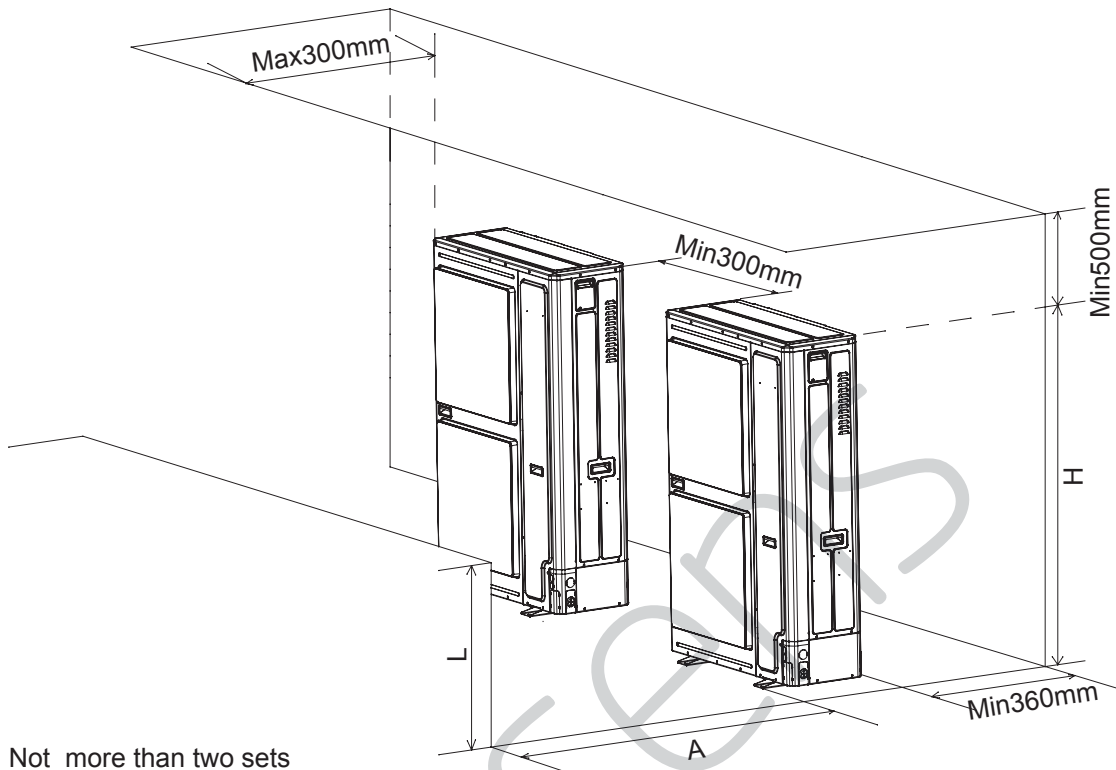
Single Outdoor



Multi Outdoor



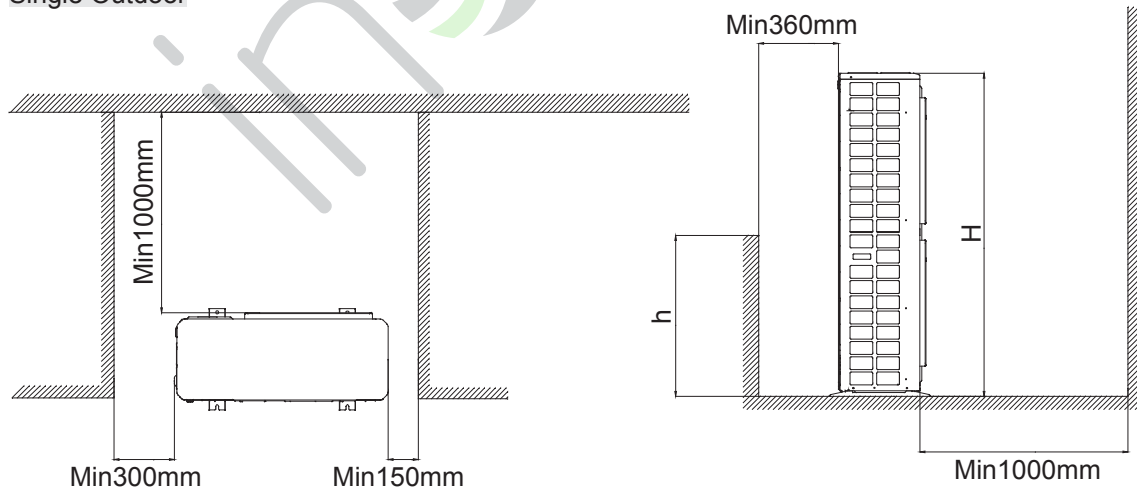
Installation procedure



Not more than two sets

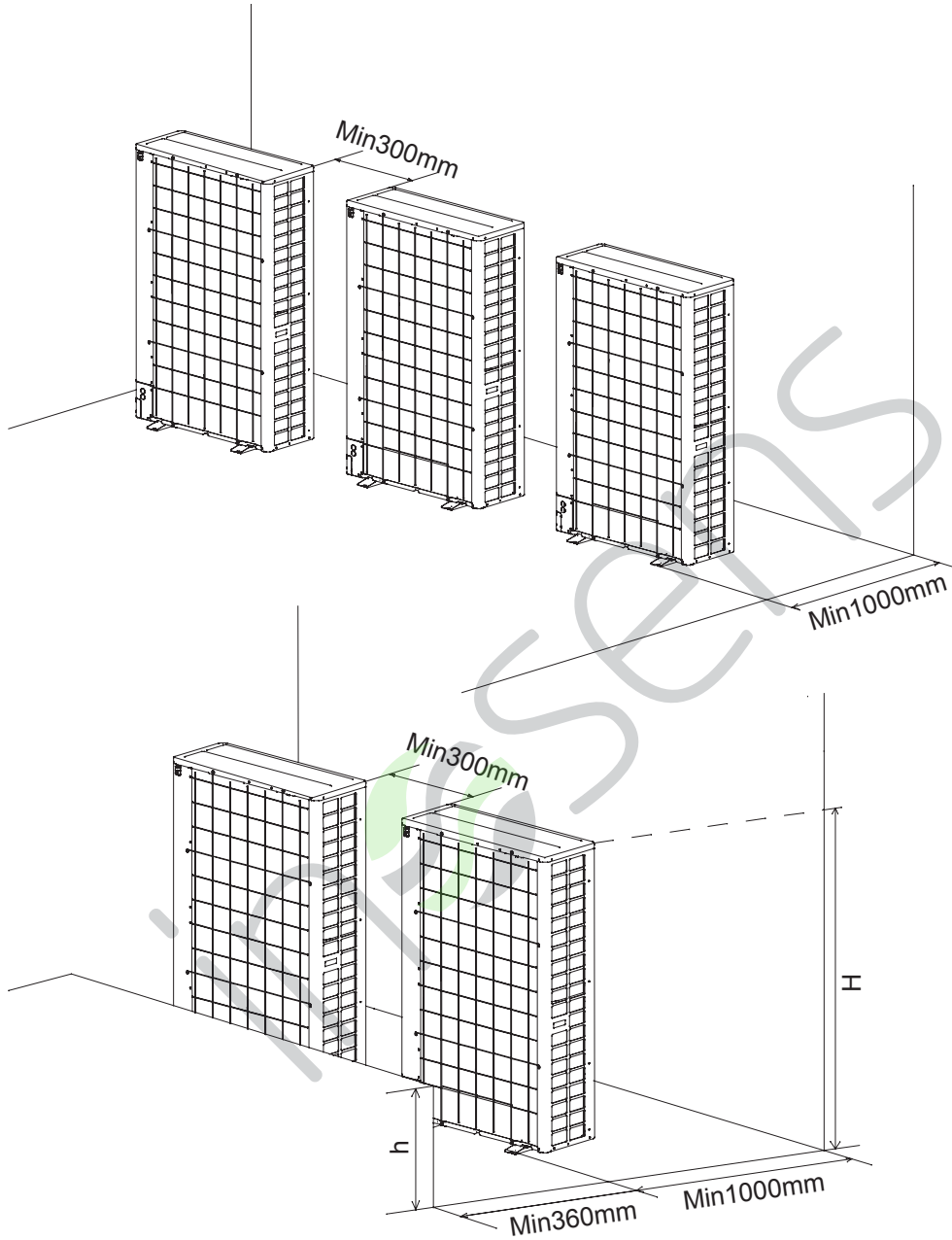
Case 3: stumbling block on the outlet, both right and left side

Single Outdoor



Installation procedure

Multi Outdoor



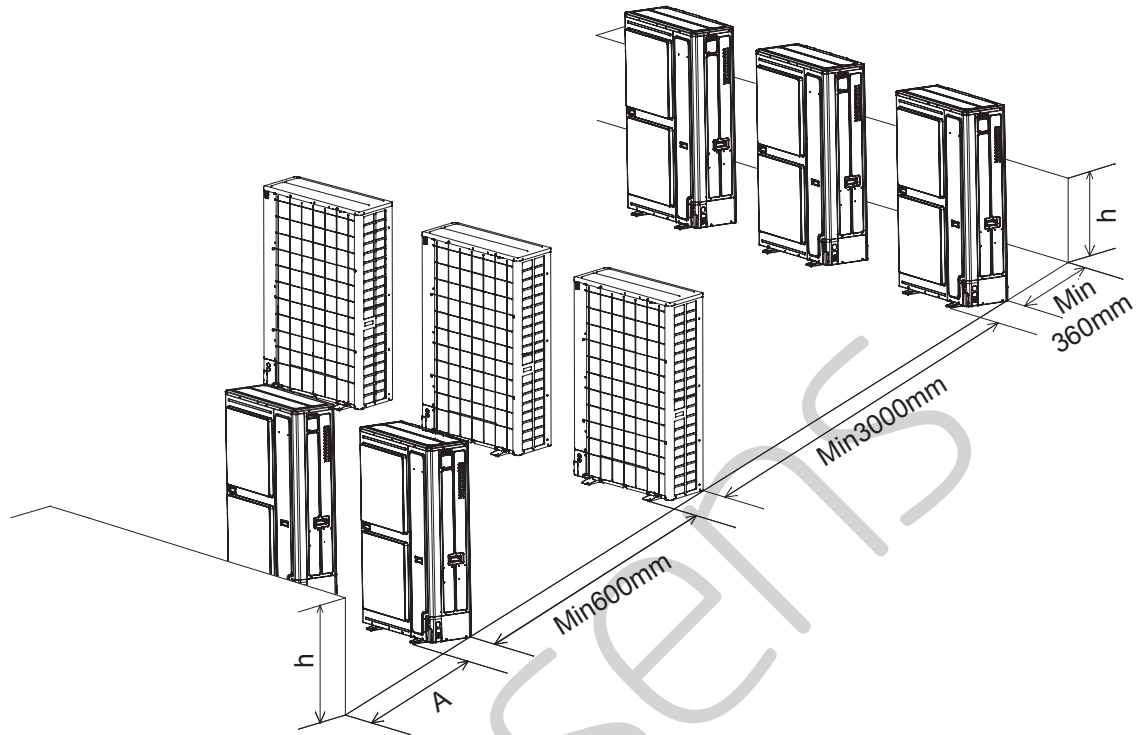
If $h > H$, please set the outdoor on the foundation to make sure $H \geq h$.
 H = The height of outdoor and foundation

h	A
$0 < h \leq 1/2H$	Over 600
$1/2H < h \leq H$	Over 1400

Note: Avoid making air short cycle in any case.

Installation procedure

Multi Row Outdoor



Note:

Make sure the distance at least 300mm between two neighbor units and no stumbling block.

h	A
$0 < h \leq 1/2H$	Over 600
$1/2H < h \leq H$	Over 1400

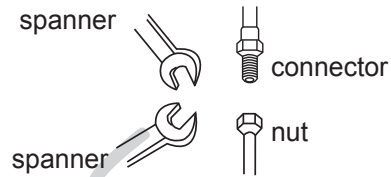
Installation procedure

A. Refrigerant pipe connection

Pipe connection method:

- To ensure the efficiency, the pipe should be as short as possible.
- Daub the refrigerant oil on the connector and the flare nut.
- When bending the pipe, the bending semi-diameter should be as large as possible against the pipe being broken or bent.
- When connecting the pipe, aim at the center to thread the nut by hand and tighten it with the double spanners.
- Fastening torque please refers to "pipe specs and fastening torque" on page 15.
- Don't let the impurity such as sand, water etc into the pipe. Antifouling measures refer to page 13.

When fastening and loosening the nut, operate with double spanners, because only one spanner cannot execute firmly.



If threading the nut as not aiming at the center, the screw thread will be damaged, further it will cause leakage.

Cautions in piping installation:

1. When welding the pipe with hard solder, charge nitrogen into the pipe against oxidation. The pressure gauge should be set at 0.02MPa. Perform the procedure with nitrogen circulation. Otherwise, the oxide film in the pipe may clog the capillary and expansion valve resulting in accident.
2. The refrigerant pipe should be clean. If the water and the other impurity enter the pipe, charge the nitrogen to clean the pipe. The nitrogen should flow under the pressure of about 0.5Mpa and when charging the nitrogen, stop up the end of the pipe by hand to enhance the pressure in the pipe, then loose the hand (meanwhile stop up the other end).
3. The piping installation should be executed after the stop valves are closed.
4. When welding the valve and the pipe, cool down the valve with wet towel.
5. When the connection pipe and the branch pipe need to be cut down, please use the special shears and cannot use the saw.
6. When welding copper pipe, use the phosphor copper welding rod without any welding flux. (welding flux will damage the piping system. The welding flux containing chlorine will corrode pipe, especially, the welding flux with fluorin will damage refrigeration oil.)

Pipe material and specs selection

1. Please select the refrigerant pipe of the below material.
Material: the phosphoric oxidize seamless copper pipe, model: C1220T-1/2H (diameter is over 19.05); C1220T-0(diameter is below 15.88).
2. Thickness and specs:
Confirm the pipe thickness and specs according to the pipe selection method(the unit is with R410A, if the pipe over 19.05 is 0-type, the pressure preservation will be bad, thus it must be 1/2H type and over the min. thickness.
3. The branch pipe and the gather pipe must be from Haier.
4. When installing the stop valve, refer to the relative operation instruction.
5. The pipe installation should be in the allowable range.
6. The installation of branch pipe and gather pipe should be performed according to the relative manual.

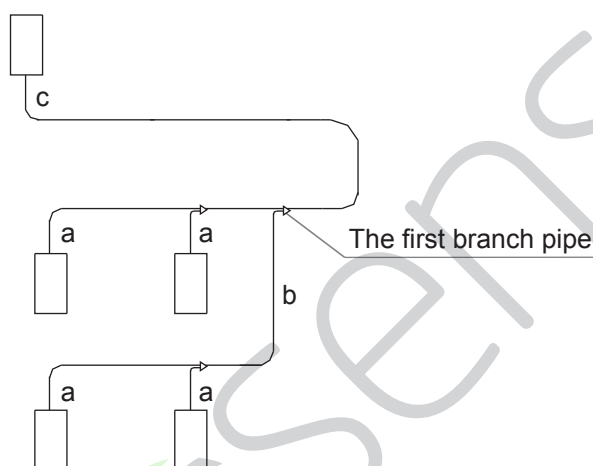
Installation procedure

Anti-fouling measures

First, clean the pipe.

Position	Installation period	Measures
Outdoor	More than 1 month	Flat the pipe end
	Less than 1 month	Flat the pipe end or seal with adhesive tape
Indoor	Nothing to do with period	

Pipe specification:



1. Pipe "a" diameter (between indoor and branch pipe) depends on indoor pipe

Indoor (x100W)	Gas pipe (mm)	Liquid pipe (mm)
22~28	Ø9.52	Ø6.35
36~56	Ø12.7	Ø6.35
71~140	Ø15.88	Ø9.52
226~280	Ø25.4	Ø9.52

Note:

AS072 AS092 gas pipe: Ø12.7mm

AS182 gas pipe/ liquid pipe: Ø15.88mm/9.52mm

2. Pipe "b" diameter (between branch pipes)

Total indoor capacity after the branch pipe (kW)	Gas pipe (mm)	Liquid pipe (mm)
<16.8KW	Ø15.88	Ø9.52
16.8KW≤X<22.4KW	Ø19.05	Ø9.52
22.4KW≤X<33.0KW	Ø22.22	Ø9.52
33.0KW≤X<47.0KW	Ø28.58	Ø12.7

Note:

Adjust the diameter on field (changing pipe is needed)

When the latter indoor total capacity is less than 14.0kw, pipe b will use the specs as the pipe a.

Installation procedure

3. Pipe "c" diameter (main pipe, between outdoor gather pipe and the first branch pipe)

Outdoor capacity (kW)	Main pipe		Enlarged main pipe	
	Gas pipe (mm)	Liquid pipe (mm)	Gas pipe (mm)	Liquid pipe (mm)
22.4	Ø22.22	Ø9.52	Ø22.22	Ø12.7
28.0	Ø22.22	Ø9.52	Ø25.4	Ø12.7
33.5	Ø25.4	Ø12.7	Ø28.58	Ø12.7

Note:

When the distance from outdoor to the longest indoor is over 90m, the main pipe should be enlarged diameter.

Copper pipe selection:

Material	O type pipe: Soft pipe			
Pipe diameter (mm)	Ø6.35	Ø9.52	Ø12.7	Ø15.88
Thickness(mm)	0.8	0.8	1.0	1.0

Material	Hard pipe				
Pipe diameter (mm)	Ø19.05	Ø22.22	Ø25.4	Ø28.58	Ø31.8
Thickness(mm)	1.0	1.0	1.0	1.0	1.1

Long pipe and high drop

1. Applicable range

Item	Model	Outdoor
Single way total pipe length		300m
Single way pipe length		Max.: 150m (Equal Length 175m)
Main pipe between outdoor to 1st branch		Max.: 110m (Equal Length 135m)
Pipe length between outdoors		Less than 10m to 1st branch pipe
Height difference between indoor and outdoor	Outdoor is upper	Max. 50m
	Outdoor is lower	Max. 40m
Height difference between outdoors (in the same system)		Within 5m (better be horizontal)
Height difference between indoors		Max. 15m

Unit pipe spec and connection method (unit: mm)

A. Outdoor unit

Model	Gas pipe side		Liquid pipe side	
	Diameter (mm)	Connecting method	Diameter (mm)	Connecting method
AV08NMSETA	Ø19.05	Flared joint	Ø9.52	Flared joint and Brazing
AV10NMSETA	Ø22.22	Flared joint and Brazing	Ø12.7	Flared joint
AV12NMSETA	Ø25.4		Ø12.7	

Installation procedure

B. Indoor unit

Model Capacity	Gas pipe side		Liquid pipe side	
	Diameter (mm)	Connecting method	Diameter (mm)	Connecting method
07	Ø9.52	Braze	Ø6.35	Flared
09	Ø9.52		Ø6.35	
12	Ø12.7		Ø6.35	
16	Ø12.7		Ø6.35	
18	Ø12.7		Ø6.35	
24	Ø15.88		Ø9.52	
28	Ø15.88		Ø9.52	
30	Ø15.88		Ø9.52	
38	Ø15.88		Ø9.52	
48	Ø15.88		Ø9.52	
72	Ø25.4		Ø9.52	
96	Ø25.4		Ø9.52	

Note:

AS072, AS092 gas pipe: Ø12.7mm; AS182 gas pipe/ liquid pipe: Ø15.88/9.52mm

C. Pipe spec and the torque

Diameter (mm)	Torque(N·m)
Ø6.35	14~18
Ø9.52	34~42
Ø12.7	49~61
Ø15.88	68~82
Ø19.05	84~98

Branch pipe

Branch pipe selection:

Total indoor capacity(100W)	model(optional)
Less than 335	FQG-B335A
More than 335, less than 506	FQG-B506A

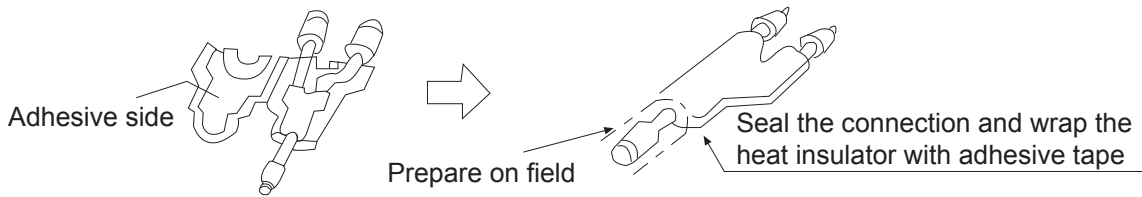
Outdoor unit type

The master unit will choose the closest one to the 1st branch pipe.

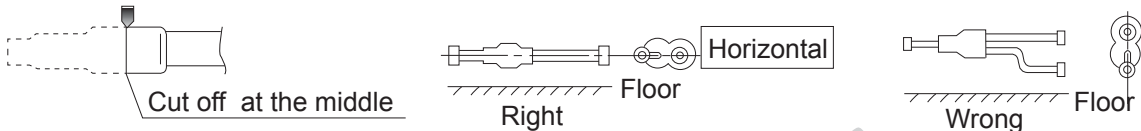
Note:

1. When connecting the outdoor branch pipe and the outdoor, please pay attention to the outdoor pipe dimension.
2. When adjusting the diameter among outdoor branch pipe and among the units, please must execute at the branch pipe side.
3. Please install the outdoor branch pipe (gas/liquid side) in horizontal or vertical direction.
4. When welding with hard solder, please must blow nitrogen. If not, a number of oxide will be produced and cause heavy damage. Besides, to prevent water and dust into the pipe, please make the brim as outer roll.

Installation procedure



Cut off pipe with the cutter



Pipe installation

When doing the piping connection, please do the following:

- Please don't let the pipe and the parts in the unit collide each other.
- When connecting the pipes, close the valves fully.
- Protect the pipe end against the water, impurity into the pipes (welding after being flat, or being sealed with adhesive tape).
- Bend the pipe as large semi-diameter as possible (over 4 times of the pipe diameter).
- The connection between outdoor liquid pipe and the distributing pipe is flared type. Please expand the pipe with the special tool for R410A after installing the expanding nut. But if the projecting pipe length has been adjusted with the copper pipe gauge, you can use the original tool to expand the pipe.
- Since the unit is with R410A, the expanding oil is ester oil, not the mineral oil.
- When doing the flare connection, please do the following: When connecting the expanding pipe, fasten the pipes with double-spanner. The torque refers to the former info.

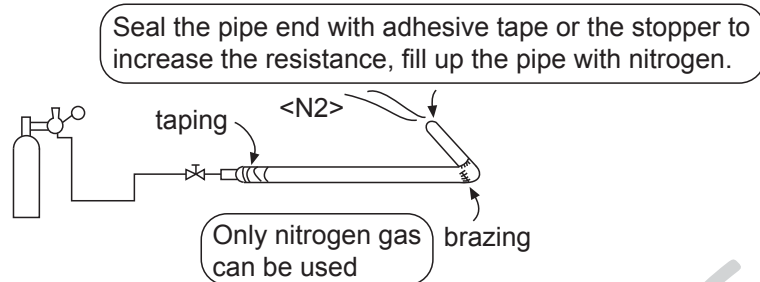
Pipe outer diameter (mm)	Expanding pipe:A(mm)		Projecting length of pipe to be expanded:B(mm)	When it is hard pipe	
	A	0 -0.4		Special tool for R410A	The former tool
Ø6.35	9.1			0-0.5	1.0-1.5
Ø9.52	13.2				
Ø12.7	16.6				
Ø15.88	19.7				

- The outdoor gas pipe and the refrigerant distributing pipe, as well the refrigerant distributing pipe and the branch pipe should be welded with hard solder.
- When doing the braze connection, please do the following: Brazing the pipe at the same time charge the nitrogen. Or it will cause a number of impurity (a film of oxidation) to clog the capillary and the expansion valve, further cause the deadly failure.

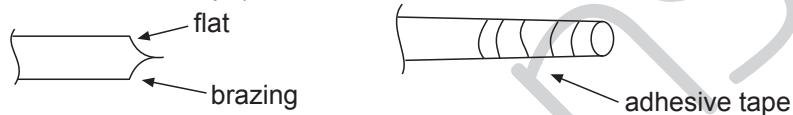
Installation procedure

Operation procedure

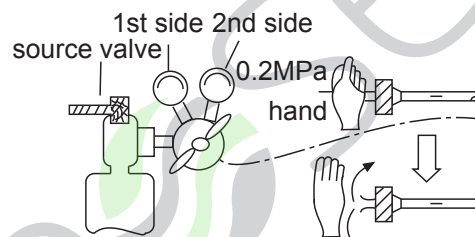
- Brazing the pipe at the same time charge the nitrogen. Or it will cause a number of impurity (a film of oxidation) to clog the capillary and the expansion valve, further cause the deadly failure.



- Protect the pipe end against the water, impurity into the pipes (welding after being flat, or being sealed with adhesive tape).



- The refrigerant pipe should be clean. The nitrogen should flow under the pressure of about 0.5Mpa and when charging the nitrogen, stop up the end of the pipe by hand to enhance the pressure in the pipe, then loose the hand (meanwhile stop up the other end).

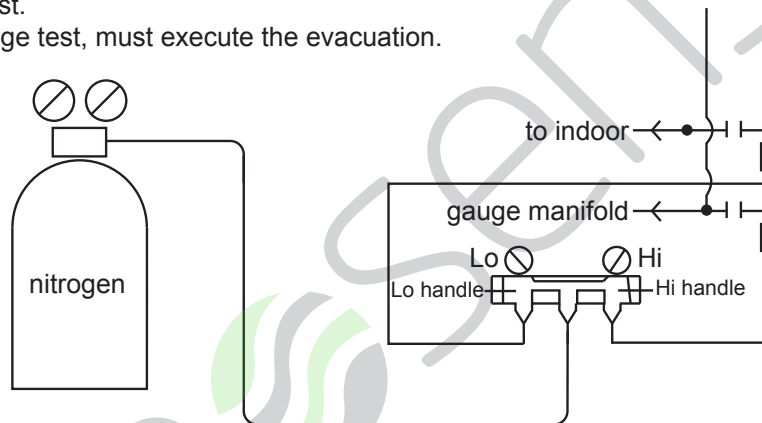


- When connecting the pipes, close the valves fully.
- When welding the valve and the pipes, use the wet cloth to cool down the valve and the pipes.

Installation procedure

B. Leakage test

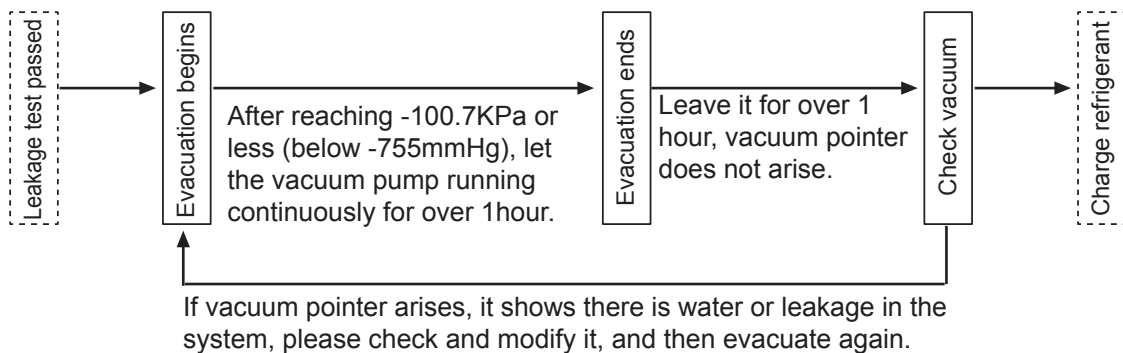
1. The outdoor unit has been executed the leakage test in the factory. The pipe should be executed leakage test individually and forbidden to test after connecting with stop valve.
2. Refer to the below figure to charge the nitrogen into the unit to take a test. Never use the chlorin, oxygen, flammable gas in the leakage test. Apply pressure both on the gas pipe and the liquid pipe.
3. Apply the pressure step by step to the target pressure.
 - a. Apply the pressure to 0.5MPa for more than 5 minutes, confirm if pressure goes down.
 - b. Apply the pressure to 1.5MPa for more than 5 minutes, confirm if pressure goes down.
 - c. Apply the pressure to the target pressure (4.15MPa), record the temp. and the pressure.
 - d. Leave it at 4.15MPa for over 1 day, if pressure does not go down, the test is passed. Meanwhile, when the temp. changes for 1degree, pressure will change 0.01MPa as well. Correct the pressure.
 - e. After confirmation of a~d, if pressure goes down, there is leakage. Check the brazing position, flared position by laying on the soap. modify the leakage point and take another leakage test.
4. After leakage test, must execute the evacuation.



C. Evacuation

Evacuate at the check valve of liquid stop valve and both sides of the gas stop valve. The oil equalization pipe also must be vacuum (executed at the oil equalization pipe check valve respectively).

Operation procedure:



Installation procedure

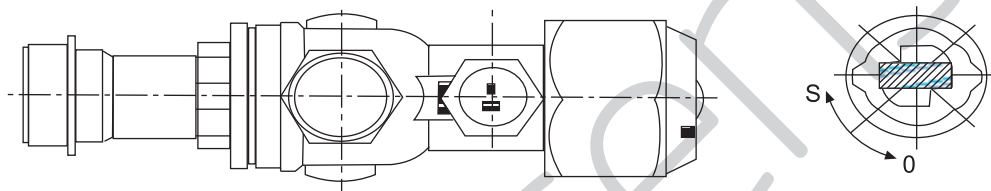
Because the unit is with refrigerant R410A, the below issues should be paid attention:

- To prevent the different oil into the pipe, please use the special tool for R410A, especially for gauge manifold and charging hose.
- To prevent the compressor oil into the refrigerant cycle, please use the anti-counter-flow adapter.

D. Check valve operation

Open/close method:

- Take down the valve cap, gas pipe turns to "open" state as right figure.
- Turn the liquid pipe with hexangular spanner until it stops. If opening the valve strongly, the valve will be damaged.
- Tighten the valve cap.



Tighten torque as the table below:

Tighten torque N·m			
	Shaft (valve body)	Cap (cover)	T-shape nut (check joint)
For gas pipe	8~9	22~27	8~10
For liquid pipe	5~6	13~16	8~10

E. Additional refrigerant charging

Charge the additional refrigerant as liquid state with the gauge.

If the additional refrigerant can not be charged totally when the outdoor stops, charge it at the trial mode.

If the unit runs for a long period in the state of lack of refrigerant, compressor will occur failure. (the charging must be finished within 30 minutes especially when the unit is running, meanwhile charging the refrigerant).

The unit is charged only part of the refrigerant at the factory, also need additional refrigerant at the installation site.

W1: Refrigerant charging volume to outdoor unit at factory.

W2: Refrigerant charging volume to outdoor unit on site.

W3: Refrigerant charging volume to liquid pipe base on different piping length calculation.

W3=actual length of liquid pipe×additional amount per meter liquid pipe=

$L1 \times 0.35 + L2 \times 0.25 + L3 \times 0.17 + L4 \times 0.11 + L5 \times 0.054 + L6 \times 0.022$

Installation procedure

L1: Total length of 22.22 liquid pipe;

L2: Total length of 19.05 liquid pipe;

L3: Total length of 15.88 liquid pipe;

L4: Total length of 12.7 liquid pipe;

L5: Total length of 9.52 liquid pipe;

L6: Total length of 6.35 liquid pipe;

Total refrigerant volume charging on site during installation=W2+W3

W: Total refrigerant volume charging on site for maintenance.

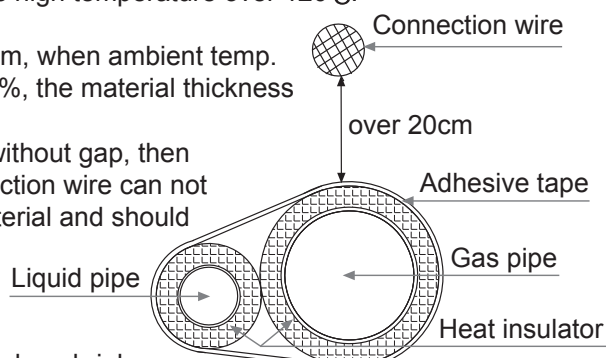
Refrigerant record form							
Model	W1: Refrigerant charging volume to outdoor unit at factory	W2: Refrigerant charging volume to outdoor unit on site	W3: Refrigerant charging volume to liquid pipe base on different piping length calculation		Total refrigerant volume charging on site during installation	W: Total refrigerant volume charging on site for maintenance	
			Liquid pipe diameter (mm)	Additional refrigerant amount (kg)			
AV08NMSETA	Refer to label	0kg	Ø6.35	0.022kg/m× <u> </u> m= <u> </u> kg	W2+W3= <u> </u> kg	W1+W2+W3= <u> </u> kg	
AV10NMSETA		0kg	Ø9.52	0.054kg/m× <u> </u> m= <u> </u> kg			
AV12NMSETA		0kg	Ø12.7	0.11kg/m× <u> </u> m= <u> </u> kg			
				Ø15.88			0.17kg/m× <u> </u> m= <u> </u> kg
				Ø19.05			0.25kg/m× <u> </u> m= <u> </u> kg
				Ø22.22			0.35kg/m× <u> </u> m= <u> </u> kg
				W3= <u> </u> kg			

Note:

- To prevent the different oil into the pipe, please use the special tool for R410A, especially for gauge manifold and charging hose.
- Mark the refrigerant type in different colour on the tank. R410A is pink.
- Must not use the charging cylinder, because the R410A will change when transferring to the cylinder.
- When charging refrigerant, the refrigerant should be taken out from the tank as liquid state.
- Mark the counted refrigerant volume due to the distributing pipe length on the label.

Heat insulation

- Gas pipe and liquid pipe should be heat insulated separately.
- The material for gas pipe should endure the high temperature over 120°C.
- That for liquid pipe should be over 70°C.
- The material thickness should be over 10mm, when ambient temp. is 30°C, and the relative humidity is over 80%, the material thickness should be over 20mm.
- The material should cling the pipe closely without gap, then be wrapped with adhesive tape. The connection wire can not be put together with the heat insulation material and should be far at least 20cm.

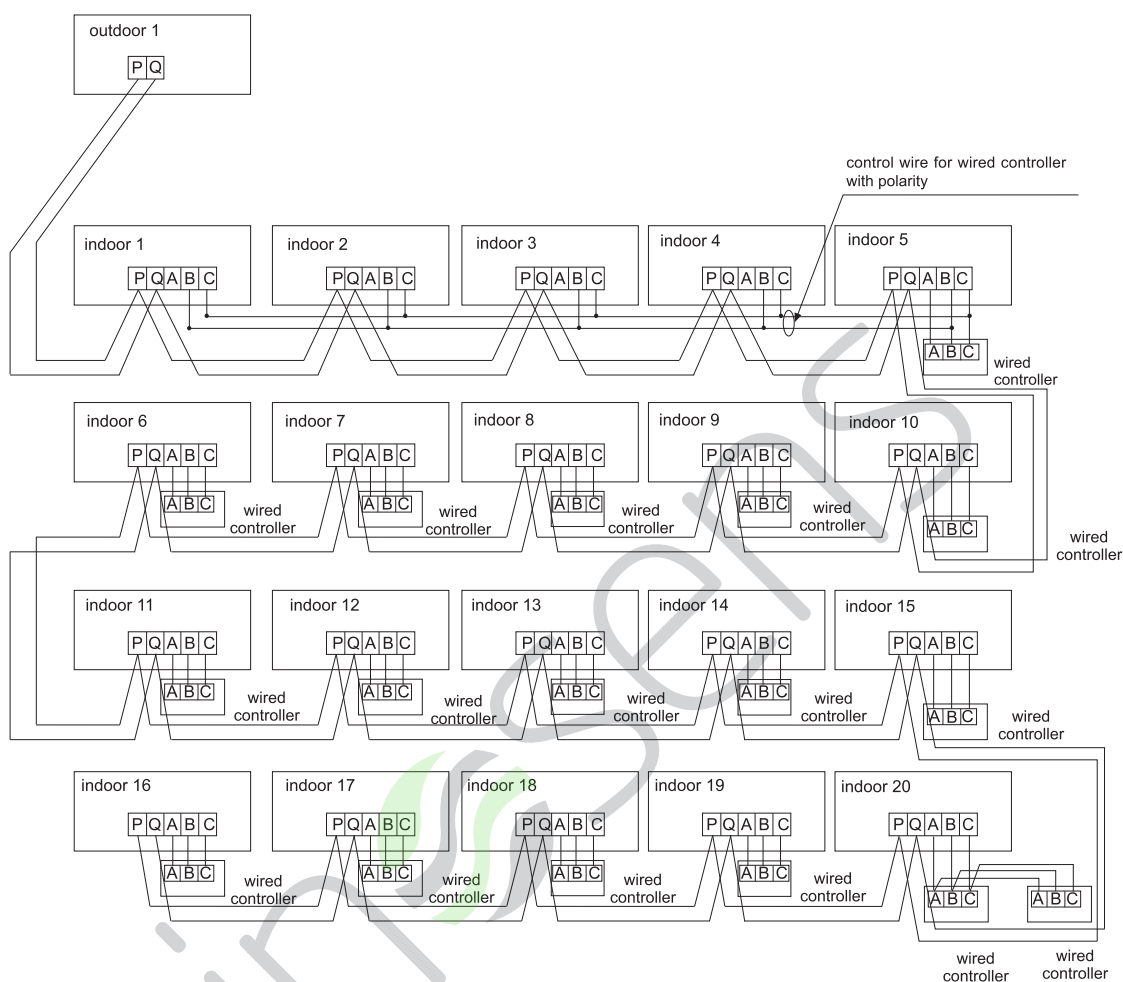


Fix the refrigerant pipe

- In operation, the pipe will vibrate and expand or shrink. If not being fixed, the refrigerant will focus on one part to cause the broken pipe.
- To prevent the central stress, fix the pipe for every 2-3m.

Electric wiring and the application

Communication wiring figure



The outdoor and all indoor units are in parallel through 2 non-polar wires.

Three wiring methods between wired controller and indoor unit:

A. 1 to multi (group control): one wired controller controls 2~16 indoors, as shown in above figure, indoor 1~indoor 5: indoor 5 is wired control master unit, the others are wired control slave units. Wired controller and the master indoor (directly connected to wired controller) is connected by 3 polar wires; the other indoors and the master indoors are connected by 2 polar wires.

B. 1 to 1 (one wired controller controls one indoor): as shown in above figure, indoor 6~ indoor 19, indoor and wired controller are connected by 3 polar wires.

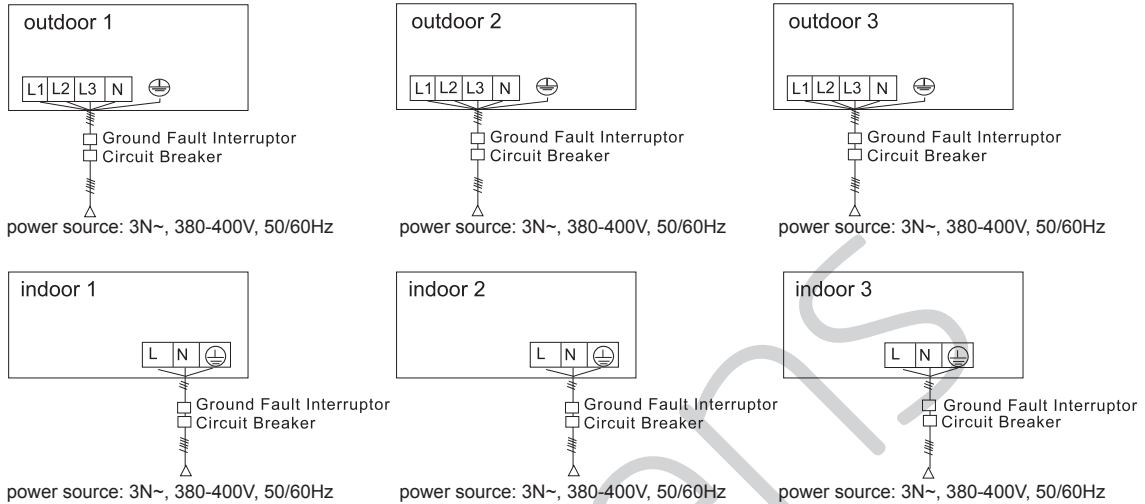
C. 2 to 1 (two wired controller controls one indoor): as shown in above figure, indoor 20. Either of wired controllers can be set as master wired controller, and the other is slave wired controller. Master/slave wired controller, and master/indoor are connected by 3 polar wires.

When indoor is controlled by remote controller, refer to the "wired control master unit/wired control slave unit/remote control unit table". A, B, C on signal terminal block need not wires and not connect the wired controller.

Electric wiring and the application

Power wiring figure

Please make sure that when the unit is running, the input voltage is no less than 380V; if it is lower than 380V, the unit may run abnormal.



- Indoor and outdoor use their individual power source.
- All indoors use one power source.
- Must install the leakage breaker and the over current breaker, or electric shock will occur.

Outdoor power source and power cable

Item		Power source	Power cable section (mm ²)	Wire length (m)	Circuit breaker (A)	Rated current of residual circuit breaker(A) Ground fault interruptor(mA) response time(S)	Ground wire	
							Section (mm ²)	Screw
Model								
Individual power	AV08NMSETA	3N~, 380-400V, 50/60 Hz	2.5	60	16	40A 30mA below 0.1S	2.5	M5
	AV10NMSETA		2.5	60	16			
	AV12NMSETA		2.5	60	16			

- Power cable must be fixed firmly.
- Each outdoor must be earthed well.
- When power cable exceeds the range, thicken it appropriately.

Electric wiring and the application

Indoor power source and communication wiring

Item Indoor total current (A)	Power cable section (mm ²)	Wire length (m)	Rated current of overcurrent breaker (A)	Rated current of residual circuit breaker(A) Ground fault interruptor(mA) response time(S)	Communication wire section	
					Outdoor/ indoor (mm ²)	Indoor/ indoor (mm ²)
<13	1.5	20	20	20A, 30mA, below 0.1s	2-core × (1.0mm ²) shielded wire	
≥13 and <16	2.5	25	30	30A, 30mA, below 0.1s		
≥15 and <22	4.0	30	40	40A, 30mA, below 0.1s		
≥22 and <27	6.0	40	50	50A, 30mA, below 0.1s		

- Power cable and communication wire must be fixed firmly.
- Each indoor must be grounded well.
- When power cable exceeds the range, increase the gauge appropriately.
- Shielded layer of communication wires must be connected together and be earthed at single point.
- Communication wire total length cannot exceed 1000m.

Communication wire for wired controller

Wire length(m)	Wire spec	Wire length(m)	Wire spec
<100	0.3mm ² ×(3-core) shielded wire	≥300 and <400	1.25mm ² ×(3-core) shielded wire
≥100 and <200	0.5mm ² ×(3-core) shielded wire	≥400 and <600	2mm ² ×(3-core) shielded wire
≥200 and <300	0.75mm ² ×(3-core) shielded wire		

- Shielded layer of communication wire must be grounded at one end.
- The total length cannot exceed 600m.

Electric wiring and the application

Selection switch and the display

In the following table, 1 is ON, 0 is OFF.

Dip switch definition:

BM1 is usually set by the personnel on site; BM2 is usually used in the factory.

① BM1 introduction

BM1_1	Indoor searching after startup	0	Begin to search indoor	
		1	Stop searching indoor and lock the quantity	
BM1_2	Start up after pre-heating for 2 hour	0	Allow	
		1	Forbidden	
BM1_4 BM1_5	Piping length selection	[4]	[5]	Selection item
		0	0	Medium piping length: $100\text{m} < L \leq 200\text{m}$
		0	1	Long piping length: $L > 200\text{m}$
		1	0	Short piping length: $L \leq 100\text{m}$
		1	1	Medium piping length: $100\text{m} < L \leq 200\text{m}$
BM1_6 BM1_7	Defrosting condition "α" selection	[6]	[7]	Selection item
		0	0	8
		0	1	10
		1	0	6
		1	1	8
BM1_8	Silent operation selection	[8]	Silent mode	
		0	Forbidden (without silent operation)	
		1	Allow (with silent operation)	

Note:

The number of indoor units must be locked by the BM1_1(OFF to ON) before running the outdoor.

② BM2 introduction

BM2_2 BM2_3	Outdoor horse power selection	[2]	[3]	Outdoor horse power
		0	0	AV08
		1	0	AV10
		1	1	AV12

Failure code

Failure code

Inverter outdoor unit failure code

Digital tube indication on master unit	Indication on wired controller (hex)	Failure code definition	Failure description	Remarks
20	20-0	Defrosting temp.sensor TE1 failure	AD value is below 11(open circuit) or over 1012(short circuit) for 60seconds, in cooling mode, if the sensor is abnormal, the unit does not deal with it, besides, in defrosting and within 3 minutes after defrosting, no alarm	Resumable
20	20-1	Defrosting temp.sensor TE2 failure		
21	21	Ambient temp. sensor Ta failure	AD value is below 11(open circuit) or over 1012(short circuit) for 60seconds, in defrosting and within 3 minutes after defrosting, no alarm	Resumable
22	22	Suction temp. sensor Ts failure	AD value is below 11(open circuit) or over 1012(short circuit) for 60seconds, in defrosting and within 3 minutes after defrosting, no alarm	Resumable
23	23	Discharging temp.sensor Td failure	After compressor is running for 5 minutes, AD value is below 11(open circuit) or over 1012(short circuit) for 60seconds, in course of startup, defrosting and within 3 minutes after defrosting, no alarm	Resumable
24	24	Oil temp.sensor Toil failure	AD value is below 11(open circuit) or over 1012(short circuit) for 60seconds, if Ta<=-10degree or ET<=-10degree, within 5 minutes, no alarm	Resumable
26	26-0	Indoor communication failure	For continuous 200 cycles, can not find connected indoors	Resumable
26-1	26-1		For continuous 300seconds, the searched indoor quantity is less than the set quantity.	
26-2	26-2		For continuous 300seconds, the searched indoor quantity is more than the set quantity.	
27	27	Oil temp. too high protection(Toil)	Toil≥110degree at interval of 25msec for twice continuously, and over the set value, then stop and alarm; 3 minutes later, resume automatically. If it occurs 3 times in an hour, confirm the failure.	Once confirmation, un-resumable
28	28	High pressure sensor Pd failure	AD value is below 11(open circuit) or over 1012(short circuit) for 30seconds, in defrosting and within 3 minutes after defrosting, no alarm	Resumable

Failure code

LD indication on master unit	Indication on wired controller (hex)	Failure code definition	Failure description	Remarks
29	1D	Low pressure sensor Ps failure	AD value is below 11(open circuit) or over 1012(short circuit) for 30seconds, in defrosting and within 3 minutes after defrosting, no alarm	Resumable
30	30	High pressure switch HPSi failure	If disconnect for 50ms continuously, alarm. If alarm 3 times in an hour, confirm the failure	Once confirmation, un-resumable
33	33	EEPROM failure	EEPROM failure	Once confirmation, un-resumable
34	34	Discharging temp.too high protection (Td)	$T_d \geq 115$ degree at interval of 25msec for twice continuously, and over the set value, then stop and alarm; 3 minutes later, resume automatically. If it occurs 3 times in an hour, confirm the failure.	Once confirmation, un-resumable
35	35	4-way valve reversing failure	After 4-way valve is electrified for 3 minutes, if the below conditions can be met for continuous 10 seconds, that is conversing successfully: 1. this outdoor compressor is running normally 2. $P_d - P_s \geq 0.6$ MPa, Otherwise, the system alarms reversing failure.	Once confirmation, un-resumable
36	36	Oil temp. too low protection (Toil)	In normal operation, if $T_d < CT + 6$ °C for continuous 5 minutes, the unit stops and alarms.2 minutes and 50 seconds later, resume automatically. If it occurs 3 times in an hour, confirm the failure	Once confirmation, un-resumable
39-0	39-0	Low pressure sensor Ps too low protection	After compressor is running (except for residual operation), if in cooling, $P_s < 0.05$ Mpa; in heating, $P_s < 0.03$ Mpa; in oil return, $P_s < 0.03$ Mpa for continuous 5 minutes, alarm and stop. 2 minutes and 50 seconds later, resume automatically, if it occurs 3 times in an hour, confirm the failure.	Once confirmation, un-resumable
39-1	39-1	Compression ratio too high protection	After compressor is running, compression ratio $\epsilon > 8$. for continuous 5 minutes stop and alarm.2 minutes and 50 seconds later, resume automatically, if it occurs 3 times in an hour, confirm the failure.	Once confirmation, un-resumable

Failure code

LD indication on master unit	Indication on wired controller (hex)	Failure code definition	Failure description	Remarks
39-2	39-2	Compression ratio too low protection	In normal operation, compression ratio $\epsilon < 1.8$ for continuous 5 minutes stop and alarm. 2 minutes and 1 seconds later, resume automatically, if it occurs 3 times in an hour, confirm the failure.	Once confirmation, un-resumable
40	40	High pressure sensor Pd too high protection	In normal operation, $P_d \geq 4.15 \text{ Mpa}$ for continuous 50ms, alarm and stop. 2 minutes and 50 seconds later, resume automatically, if it occurs 3 times in an hour, confirm the failure.	Once confirmation, un-resumable
43	43	Discharging temp. sensor Td too low protection	In normal operation, if $T_d < C_T + 10^\circ\text{C}$ for continuous 5 minutes, the unit stops and alarms. 2 minutes and 50 seconds later, resume automatically. If it occurs 3 times in an hour, confirm the failure. After fixed frequency compressor alarms, inverter compressor will continue to run. If fixed frequency compressor has been locked for 3 times, the unit will stop and alarm.	Once confirmation, un-resumable
46	46	Communication with inverter board failure	No communication within 30 seconds continuously	Resumable
71	71	DC motor blocked	Running at speed below 20rpm for 30s, or at speed of 70% lower than the target for 2 minutes, 2 minutes and 50 seconds later after stop, resume automatically. It occurs 3 times in an hour, confirm the failure.	Once confirmation, un-resumable
75	75	No pressure drop between high pressure and low one	In 5 minutes after inverter compressor starts up, $P_d - P_s \leq 0.2 \text{ MPa}$. 2 minutes and 50 seconds later after unit stops, resume automatically, if it occurs twice continuously, confirm the failure.	Once confirmation, un-resumable
78	78	Lack of refrigerant	Compressor running in cooling mode, $P_s < 0.2 \text{ MPa}$ for 30 minutes; compressor running in heating mode, $T_{si} - E_T > 20$; LEV will fully open for 60 minutes, the unit will output lack of refrigerant alarm, unit will not stop.	--

Failure code

LD indication on master unit	Indication on wired controller (hex)	Failure code definition	Failure description	Remarks
110	110	IPM modular protection (F0)	IPM modular over current, in short circuit, over heat, voltage too low of control circuit.	3 times in an hour, confirm failure; once confirmation, un-resumable
111	111	Compressor out of control	In the course of compressor startup or running, the unit can not detect the rotor position, or not connecting compressor.	
112	112	Radiator of transducer temp.too high	Radiator temp. too high	
113	113	Transducer overload	Output current of transducer is too high	
114	114	Voltage too low of DC bus line of transducer	Voltage of power source is too low	
115	115	Voltage too high of DC bus line of transducer	Voltage of power source is too high	
116	116	Communication abnormal between transducer and control PCB	Communication is disconnected	Resumable
117	117	Transducer over current (software)	Compressor startup fails for 5 times continuously, or compressor is running down till stops caused by over current or over heat	3 times in an hour, confirm failure; once confirmation, un-resumable
118	118	Compressor startup failure	The sensor used for current detecting of transducer is abnormal, disconnected or incorrectly connection	
120	120	Power supply of transducer abnormal	Power supply of transducer is broken down instantly	
121	121	Power supply of inverter board is abnormal	Power supply of inverter board is broken down instantly	3 times in an hour, confirm failure; once confirmation, un-resumable
122	122	Radiator temp. sensor of transducer abnormal	Resistor of temp.sensor abnormal or temp.sensor disconnected	

Failure code

When there is no failure, if the starting condition can not be met, digital tube on master unit will display stand-by code:

555	Standby state of capacity over-match	When capacity is over 130% or lower than 50%, the system is standby.	Resumable
555.1	Outdoor ambient temperature too high (heating)	Ta>27℃ , Standby	
555.3	Outdoor ambient temperature too high or too low (cooling)	Ta>54℃ or Ta<-10℃ , Standby	
555.4	Crankcase heater working	Oil temperature is too low	

Indoor failure code list

Indication on master unit	Indication on wired controller	Flash times of LED5 on indoor PCB/timer LED on remote receiver	Failure code definition
01	01	1	Indoor ambient temp. sensor Ta failure
02	02	2	Indoor coil temp. sensor Tc1 failure
03	03	3	Indoor coil temp. sensor Tc2 failure
04	04	4	Indoor TW sensor failure
05	05	5	Indoor EEPROM failure
06	06	6	Communication between indoor and outdoor failure
07	07	7	Communication between indoor and wired controller failure
08	08	8	Indoor drainage failure
09	09	9	Indoor repeated address
0A	0A	10	Indoor repeated central control address
Outdoor failure code	Outdoor failure code	20	Outdoor corresponding failure

Trial operation and the performance

5-minute delay function

- If starting up the unit after being powered off, the compressor will run about 5 minutes later against being damaged.

Cooling/heating operation

- Indoor units can be controlled individually, but cannot run in cool and heat mode at the same time. If the cool mode and the heat mode are existing simultaneously, the unit set latter will be standby, and the unit set earlier will run normally.
- If the A/C manager sets the unit at cooling or heating mode fixedly, the unit can not run at the other modes.

Heating mode characteristic

- In operation if outdoor temp. arises, indoor fan motor will turn to low speed or stop.

Defrosting in heating mode

- In heating mode, outdoor defrosting will affect the heating efficiency. The unit will defrost for about 2~10 minutes automatically, at this time, the condensate will flow from outdoor, also in defrosting, the vapour will appear at outdoor, which is normal. Indoor motor will run at low speed or stop, and outdoor motor will stop.

The unit operation condition

- To use the unit properly, please operate the unit under the allowed condition range. If operating beyond the range, the protection device will act.
- The relative humidity should be lower than 80%. If the unit runs at the humidity over 80% for a long period, the dew on the unit will drop down and the vapour will be blown from air outlet.

Protection device (such as high pressure switch)

- High pressure switch is the device which can stop the unit automatically when the unit runs abnormally.
When the high pressure switch acts, the cooling/heating mode will stop but the running LED on wired controller will be light still. The wired controller will display failure code.
- When the following cases occur, the protection device will act:
In cooling mode, air outlet and air inlet of outdoor are clogged.
In heating mode, indoor filter is stucked with duct; indoor air outlet is clogged.
When protection device acts, please cut off the power source and re-start up after eliminating the trouble.

When power failure

- When power is failure in running, all the operations will stop.
- After being electrified again, if with re-satrt up function, the unit can resume to the state before power off automatically; if without re-satrt up function, the unit needs to be switched on again.
- When abnormal occurs in running because of the thunder, the lightning, the interference of car or radio, etc, please cut off the power source, after eliminating the failure, press "ON/OFF" button to start up the unit.

Trial operation and the performance

Heating capacity

- The heating mode adopts the heat pump type that absorbs outdoor heat energy and releases into indoor. So if outdoor temperature goes down, the heating capacity will decrease.

Trial operation

- Before trial operation:

Before being energized, measure the resistor between power terminal block (live wire and neutral wire) and the grounded point with a multimeter, and check if it is over 1M^{*}. If not, the unit can not operate.

To protect compressor, energize the outdoor unit for at least 12 hours before the unit runs. If the crankcase heater is not energized for 6 hours, the compressor will not work.

Confirm the compressor bottom getting hot.

Except for the condition that there is only one master unit connected (no slave unit), under the other conditions, open fully the outdoor operating valves (gas side, liquid side, oil equalization pipe). If operating the unit without opening the valves, compressor failure will occur.

Confirm all indoor units being electrified. If not, water leakage will occur.

Measure the system pressure with pressure gauge, at the same time, operate the unit.

- Trial operation

In trial operation, refer to the information of performance section.

When the unit can not start up at the room temperature, make trial operation for outdoor.